

## AS - AC series

from 5 to 24 litres



The AS AC series replaceable bladder accumulators come in models with a 5 to 24 litres capacity and provide for small-sized domestic systems, garden irrigation systems and any other application requiring smaller delivery capacities. All the models are equipped with standard EPDM bladders that allow them to be used as expansion vessels for sanitary use.

The AS-25 model, both practical and inexpensive, is suited for fitting directly on the pump.

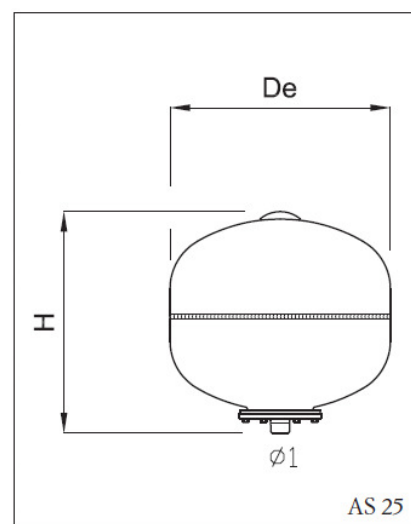
The AC GMP-25 model has been designed to implement small, compact-type, pressurisation units.

CE certified.

6

### Characteristics:

- Long-lasting epoxy paint finish to ensure greater protection against atmospheric corrosion.
- Complete separation between water and air.  
No contact between water and the inner surface of the tank;
- Non toxic replaceable bladder for alimentary use, flexible enough to allow full expansion inside the tank, thus, enhancing performances and ensuring a longer product life cycle;
- Working temperatures:  $-10^{\circ} \div +99^{\circ}\text{C}$  (model AC 20 PN25:  $-10^{\circ} \div +50^{\circ}\text{C}$ );
- In compliance with essential safety requirements of European directive 97/23/EC;
- CE marking (type AC 2-5 without CE marking).
- AC 2: white painted



Type	Capacity litres	Working pressure bar	Precharge pressure bar	De mm	H mm	L mm	ø1	Packaging mm
AC 2	2	8	1.5	130	225	-	3/4"	150 x 150 x 240
AC 5	5	8	1.5	205	240	-	3/4"	210 x 210 x 250
AC 8 CE	8	8	1.5	205	315	-	3/4"	210 x 210 x 320
AC 18 CE	18	8	1.5	270	430	-	3/4" - 1"	280 x 280 x 450
AC 20 PN25	20	25	5	270	485	-	3/4" - 1"	280 x 280 x 500
AC 25 CE	24	8	1.5	270	470	-	3/4" - 1"	280 x 280 x 470
AFV 24	24	16	1.5	270	470	-	3/4" - 1"	280 x 280 x 470
AC 25 GPM CE	24	8	1.5	270	290	470	3/4" - 1"	280 x 300 x 470
AS 25 CE	24	8	1.5	360	365	-	3/4" - 1"	360 x 360 x 380

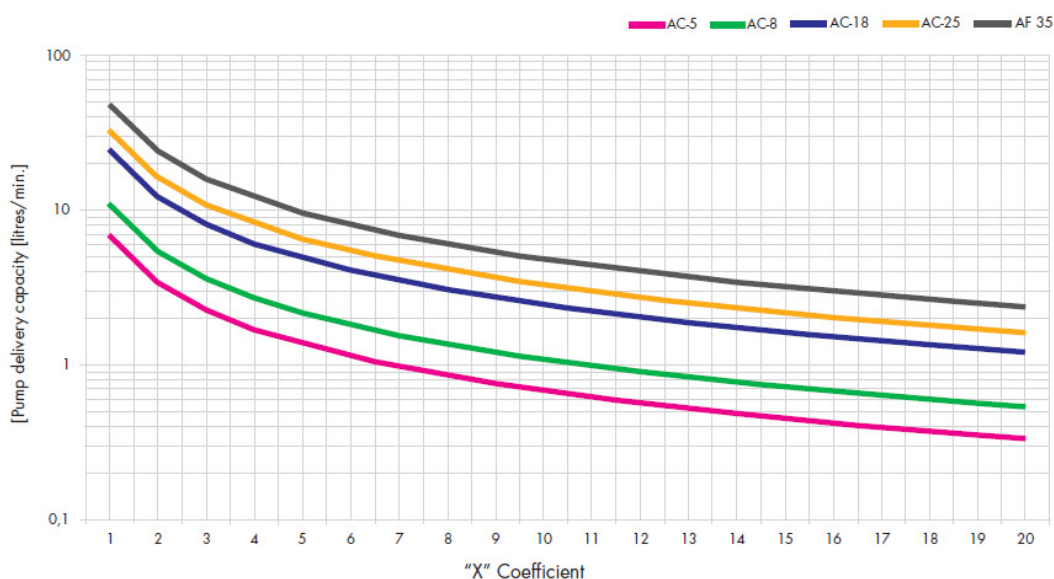
1 MPa = 10 bar

Distribuidor autorizado para todo o Brasil

➤ Dúvidas ou esclarecimentos, favor contatar nosso depto técnico.

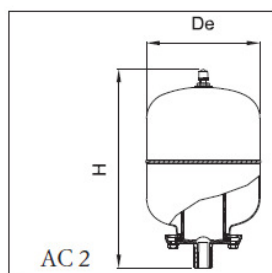
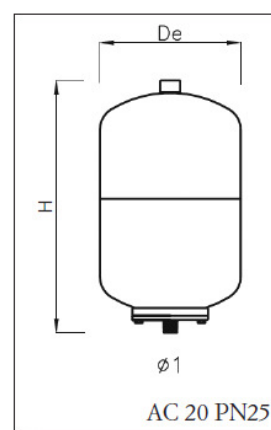
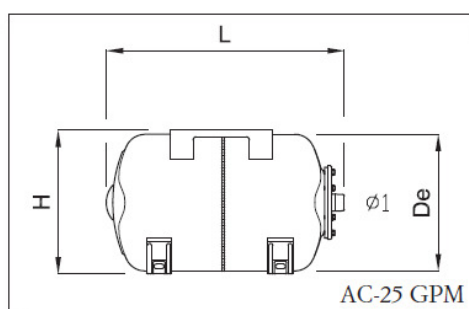
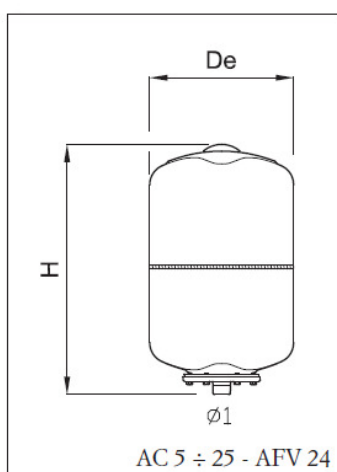
**MAGRAL**<sup>®</sup>  
HIDRÁULICA E PNEUMÁTICA  
www.magral.com.br - 11 2021-7202

### Bladder accumulator selection chart



To make sizing easier, a chart has been drawn up to select the most appropriate accumulator according to both the working pressure and delivery criteria. Note that the chart is based on the following hypothesis: standard precharge and 15 pump starts per hour (see p.19 to identify the "X" coefficient).

Pump maximum delivery capacity [litre/min.]	Δp operating pressures											
	1,5 ÷ 3,0			2,0 ÷ 3,5			2,5 ÷ 4,0			2,0 ÷ 4,0		
	Number of pump starts per hour											
	15	8	5	15	8	5	15	8	5	15	8	5
2	5	8	18	8	18	24	8	18	35	5	8	18
8	18	35	50	24	50	80	80	35	100	24	50	80
10	24	50	60	35	60	100	100	50	150	35	50	100



Distribuidor autorizado para todo o Brasil

➤ Dúvidas ou esclarecimentos, favor contatar nosso depto técnico.

**MAGRAL**<sup>®</sup>  
HIDRÁULICA E PNEUMÁTICA  
www.magral.com.br - 11 2021-7202